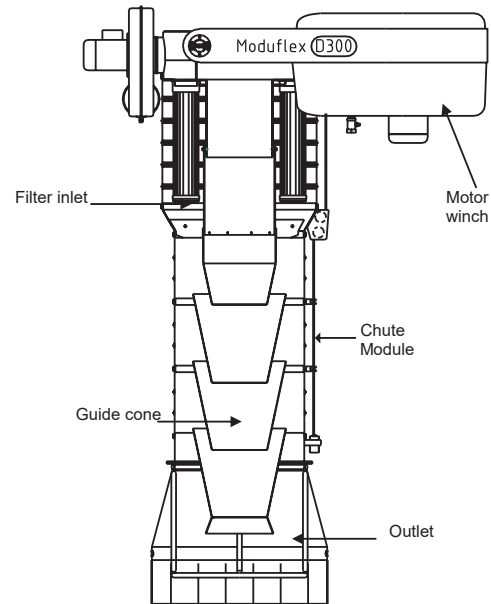


MODUFLEX LOADING CHUTE D300



GENERAL

Brand	Cimbria
Designation	Moduflex Loading Chute
Model	D300
Use	Designed for dust-free out-loading of dry bulk material.



Technical Information - D300

Inlet	Cylindrical/conical inlet tube in 2/4 mm steel. Fitting Ø300 PN10 flange (2576B). Mounted with 12 off M20 bolts. Filter module with built-in cartridge filter, pressure tank, magnetic valves etc. 9 off filter cartridges, totals 7 m ² c/w jubilee clip. Fan with 0,75kW motor and air regulator. Fan connection Ø160.
Chute modules	Type Y - Standard: Yellow. PVC/Polyester. Ø600mm/H=300mm. Temperature -35°C - +70°C Type M - Food Grade: Light Grey. PVC/Polyester. Ø600mm/H=300mm. Temperature -30°C - +70°C Type W - Special: Misc. PVC/Polyester. Ø600mm/H=300mm. Temperature -35°C - +70°C Type B - Heavy Duty: Black. Synthetic rubber. Ø600mm/H=300mm. Temperature -40°C - +130°C Type G - Extreme Temperature: Grey. Teflon/Fiber glass. Ø600mm/H=300mm. Type R - High temperature: Red. Polyester and fiber/silicone rubber. Ø600/H=300mm. Temp. -40°C - +150°C (peak +220°C) Type Z - Low temperature: Green. PVC/PU. Ø600mm/H=300mm. Temperature -60°C - +70°C Connection ring in stainless steel Aisi 304, c/w 3 off wire guides in nylon.
Guide cones	Type O - Support ring. Steel, H=30mm Type U - Ultramid. Polyamide 6.6. H=150mm, pt=6mm. Type J - Steel Standard. Steel, H=150mm, pt=2mm. Type L - Steel Overlapping, Steel, H=405mm, pt=2mm.
Outlet	Type T - Tank Outlet with steel cone for loading in tanker truck. Type F - Flat Outlet with dust skirt for loading in open truck. Type M - Multi Outlet with steel cone and dust skirt for loading in tanker truck and open truck.
Motor winch	Motor 0.55-2.2 kW, 1400 rpm. Gear box ratio 100:1. Tight and slack wire indication External 3-point wire hoist system with high precision ball bearings and 3 off winch discs vertically fitted. Hoist wires Ø5mm available in steel, stainless steel Aisi316 or Long Life steel quality. Self-lubricating wire rollers in Ertalite TX, alternatively steel/stainless steel with bronze bearing
General info	Max. loading capacity approx. 250 m ³ /hour. Compressed air supply, filter: Connection 3-4 bar. Filter cleaning air consumption 70-280 NL/min. Metal parts available in painted steel st. 37 or stainless steel Aisi 304. Other steel qualities on demand. Surface treatment St. 37: Iron phosphating, 80 micron coating RAL 9010 pure white. Surface treatment Aisi 304: Acid-washed without any further treatment Motor winch covers in ABS - RAL 6005 dark green Available with full approval and certificates for location in ATEX zone 21 and 22 (zone 20 inside the chute)

Accessories for Loading Chute D300, please see separate Data Sheet

MODUFLEX LOADING CHUTE D300

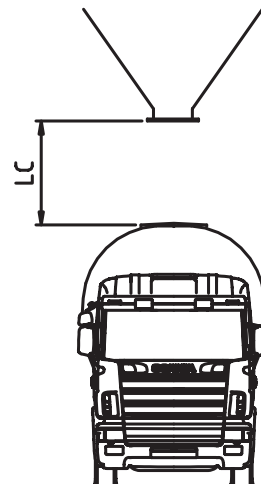
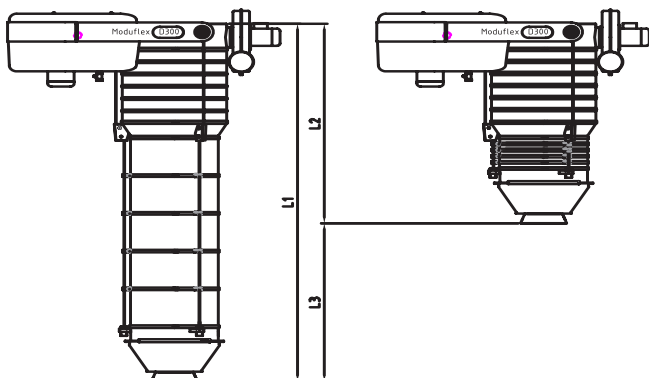
D300									
	Outlet type TH			Outlet type FH			Outlet type MH		
Cone	Overlapping steel			Overlapping steel			Overlapping steel		
M	L1	L2	L3	L1	L2	L3	L1	L2	L3
1	1 679	1 422	257	2 000	1 743	257	2 000	1 743	257
2	1 986	1 472	514	2 307	1 793	514	2 307	1 793	514
3	2 293	1 522	771	2 614	1 843	771	2 614	1 843	771
4	2 600	1 572	1 028	2 921	1 893	1 028	2 921	1 893	1 028
5	2 907	1 622	1 285	3 228	1 943	1 285	3 228	1 943	1 285
6	3 214	1 672	1 542	3 535	1 993	1 542	3 535	1 993	1 542
7	3 521	1 722	1 799	3 842	2 043	1 799	3 842	2 043	1 799
8	3 828	1 772	2 056	4 149	2 093	2 056	4 149	2 093	2 056
9	4 135	1 822	2 313	4 456	2 143	2 313	4 456	2 143	2 313
10	4 442	1 872	2 570	4 763	2 193	2 570	4 763	2 193	2 570
11	4 749	1 922	2 827	5 070	2 243	2 827	5 070	2 243	2 827
12	5 056	1 972	3 084	5 377	2 293	3 084	5 377	2 293	3 084
13	5 363	2 022	3 341	5 684	2 343	3 341	5 684	2 343	3 341
14	5 670	2 072	3 598	5 991	2 393	3 598	5 991	2 393	3 598
15	5 977	2 122	3 855	6 298	2 443	3 855	6 298	2 443	3 855
16	6 284	2 172	4 112	6 605	2 493	4 112	6 605	2 493	4 112
17	6 591	2 222	4 369	6 912	2 543	4 369	6 912	2 543	4 369
18	6 898	2 272	4 626	7 219	2 593	4 626	7 219	2 593	4 626
19	7 205	2 322	4 883	7 526	2 643	4 883	7 526	2 643	4 883
20	7 512	2 372	5 140	7 833	2 693	5 140	7 833	2 693	5 140

D300 with Flexfill				
Cone	Steel/support ring			
M	LC	L1	L2	L3
3	2 721	3 025	2 191	834
4	3 028	3 332	2 241	1 091
5	3 335	3 639	2 291	1 348
6	3 642	3 946	2 341	1 605
7	3 949	4 253	2 391	1 862
8	4 256	4 560	2 441	2 119
9	4 563	4 867	2 491	2 376
10	4 870	5 174	2 541	2 633

D300 with FlexClose - no indicator				
Cone	Overlapping steel			
Indicator	None			
M	LC	L1	L2	L3
1	1 610	1 880	1 623	257
2	1 917	2 187	1 673	514
3	2 224	2 494	1 723	771
4	2 531	2 801	1 773	1 028
5	2 838	3 108	1 823	1 285
6	3 145	3 415	1 873	1 542
7	3 452	3 722	1 923	1 799
8	3 759	4 029	1 973	2 056
9	4 066	4 336	2 023	2 313
10	4 373	4 643	2 073	2 570

D300 with FlexClose and FlexSeal - no indicator				
Cone	Overlapping steel			
Indicator	None			
M	LC	L1	L2	L3
1	1 610	1 880	1 653	227
2	1 917	2 187	1 703	484
3	2 224	2 494	1 753	741
4	2 531	2 801	1 803	998
5	2 838	3 108	1 853	1 255
6	3 145	3 415	1 903	1 512
7	3 452	3 722	1 953	1 769
8	3 759	4 029	2 003	2 026
9	4 066	4 336	2 053	2 283
10	4 373	4 643	2 103	2 540

D300 with FlexClose with/without FlexSeal - with indicator							
Cone	Overlapping steel			Overlapping steel			
Indicator	Rotating/capacitive			Vibration rod			
M	LC	L1	L2	L3	L1	L2	L3
1	1 610	2 040	1 783	257	2 110	1 853	257
2	1 917	2 347	1 833	514	2 417	1 903	514
3	2 224	2 654	1 883	771	2 724	1 953	771
4	2 531	2 961	1 933	1 028	3 031	2 003	1 028
5	2 838	3 268	1 983	1 285	3 338	2 053	1 285
6	3 145	3 575	2 033	1 542	3 645	2 103	1 542
7	3 452	3 882	2 083	1 799	3 952	2 153	1 799
8	3 759	4 189	2 133	2 056	4 259	2 203	2 056
9	4 066	4 496	2 183	2 313	4 566	2 253	2 313
10	4 373	4 803	2 233	2 570	4 873	2 303	2 570



LC measure to be used when the loading chute is fitted with FlexClose or FlexFill.