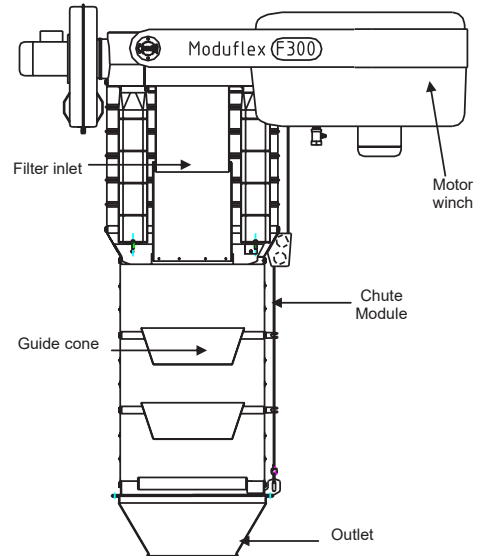


MODUFLEX LOADING CHUTE F300



GENERAL

Brand	Cimbria
Designation	Moduflex Loading Chute
Model	F300
Use	Designed for dust-free out-loading of dry bulk material.



Technical Information - F300

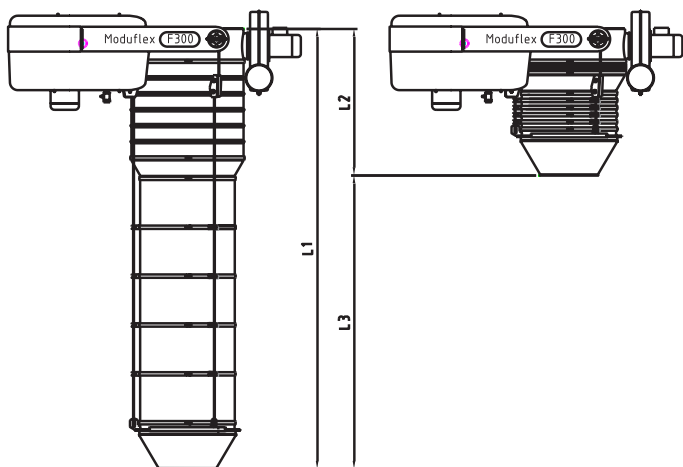
Inlet	Cylindrical/telescopically inlet tube in 2 mm steel. Fitting Ø300 PN10 flange (2576B). Mounted with 12 off M20 bolts. Retractable filter module with built-in bag filter, pressure tank, magnetic valves etc. 9 off filter bags, totals 2.5 m ² c/w support rings and jubilee clip. Fan with 0,75kW motor and air regulator. Fan connection Ø160.
Chute modules	Type Y - Standard: Yellow. PVC/Polyester. Ø600mm/H=300mm. Temperature -35°C - +70°C Type M - Food Grade: Light Grey. PVC/Polyester. Ø600mm/H=300mm. Temperature -30°C - +70°C Type W - Special: Misc. PVC/Polyester. Ø600mm/H=300mm. Temperature -35°C - +70°C Type B - Heavy Duty: Black. Synthetic rubber. Ø600mm/H=300mm. Temperature -40°C - +130°C Type G - ExtremeTemperature: Grey. Teflon/Fiber glass. Ø600mm/H=300mm. Type R - High temperature: Red. Polyester and fiber/silicone rubber. Ø600/H=300mm. Temp. -40°C - +150°C (peak +220°C) Type Z - Low temperature: Green. PVC/PU. Ø600mm/H=300mm. Temperature -60°C - +70°C. Connection ring in stainless steel Aisi 304, c/w 3 off wire guides in nylon.
Guide cones	Type O - Support ring. Steel, H=30mm Type U - Ultramid. Polyamide 6.6. H=150mm, pt=6mm. Type J - Steel Standard. Steel, H=150mm, pt=2mm.
Outlet	Type T - Tank Outlet with steel cone for loading in tanker truck. Type F - Flat Outlet with dust skirt for loading in open truck. Type M - Multi Outlet with steel cone and dust skirt for loading in tanker truck and open truck.
Motor winch	Motor 0.55-2.2 kW, 1400 rpm. Gear box ratio 100:1. Tight and slack wire indication External 3-point wire hoist system with high precision ball bearings and 3 off winch discs vertically fitted. Hoist wires Ø5mm available in steel, stainless steel Aisi316 or Long Life steel quality. Self-lubricating wire rollers in Ertalite TX, alternatively steel/stainless steel with bronze bearing
General info	Max. loading capacity approx. 250 m ³ /hour. Compressed air supply, filter: Connection 6-8 bar. Filter cleaning air consumption 70-280 NL/min. Metal parts available in painted steel st. 37 or stainless steel Aisi 304. Other steel qualities on demand. Surface treatment St. 37: Iron phosphating, 80 micron coating RAL 9010 pure white. Surface treatment Aisi 304: Acid-washed without any further treatment Motor winch covers in ABS - RAL 6005 dark green Available with full approval and certificates for location in ATEX zone 21 and 22 (zone 20 inside the chute)

Accessories for Loading Chute F300, please see separate Data Sheet

MODUFLEX LOADING CHUTE

F300

F300																		
	Outlet type TS						Outlet type FS						Outlet type MS					
Cone	Ultramid			Steel			Ultramid			Steel			Ultramid			Steel		
M	L1	L2	L3	L1	L2	L3	L1	L2	L3	L1	L2	L3	L1	L2	L3	L1	L2	L3
2	1 845	780	1 065	1 845	789	1 056	1 860	795	1 065	1 860	804	1 056						
3	2 152	816	1 336	2 152	834	1 318	2 167	831	1 336	2 167	849	1 318						
4	2 459	852	1 607	2 459	879	1 580	2 474	867	1 607	2 474	894	1 580	2 759	1 152	1 607	2 759	1 179	1 580
5	2 766	888	1 878	2 766	924	1 842	2 781	903	1 878	2 781	939	1 842	3 066	1 188	1 878	3 066	1 224	1 842
6	3 073	924	2 149	3 073	969	2 104	3 088	939	2 149	3 088	984	2 104	3 373	1 224	2 149	3 373	1 269	2 104
7	3 380	960	2 420	3 380	1 014	2 366	3 395	975	2 420	3 395	1 029	2 366	3 680	1 260	2 420	3 680	1 314	2 366
8	3 687	996	2 691	3 687	1 059	2 628	3 702	1 011	2 691	3 702	1 074	2 628	3 987	1 296	2 691	3 987	1 359	2 628
9	3 994	1 032	2 962	3 994	1 104	2 890	4 009	1 047	2 962	4 009	1 119	2 890	4 294	1 332	2 962	4 294	1 404	2 890
10	4 301	1 068	3 233	4 301	1 149	3 152	4 316	1 083	3 233	4 316	1 164	3 152	4 601	1 368	3 233	4 601	1 449	3 152
11	4 608	1 104	3 504	4 608	1 194	3 414	4 623	1 119	3 504	4 623	1 209	3 414	4 908	1 404	3 504	4 908	1 494	3 414
12	4 915	1 140	3 775	4 915	1 239	3 676	4 930	1 155	3 775	4 930	1 254	3 676	5 215	1 440	3 775	5 215	1 539	3 676
13	5 222	1 176	4 046	5 222	1 284	3 938	5 237	1 191	4 046	5 237	1 299	3 938	5 522	1 476	4 046	5 522	1 584	3 938
14	5 529	1 212	4 317	5 529	1 329	4 200	5 544	1 227	4 317	5 544	1 344	4 200	5 829	1 512	4 317	5 829	1 629	4 200
15	5 836	1 248	4 588	5 836	1 374	4 462	5 851	1 263	4 588	5 851	1 389	4 462	6 136	1 548	4 588	6 136	1 674	4 462
16	6 143	1 284	4 859	6 143	1 419	4 724	6 158	1 299	4 859	6 158	1 434	4 724	6 443	1 584	4 859	6 443	1 719	4 724
17	6 450	1 320	5 130	6 450	1 464	4 986	6 465	1 335	5 130	6 465	1 479	4 986	6 750	1 620	5 130	6 750	1 764	4 986
18	6 757	1 356	5 401	6 757	1 509	5 248	6 772	1 371	5 401	6 772	1 524	5 248	7 057	1 656	5 401	7 057	1 809	5 248
19	7 064	1 392	5 672	7 064	1 554	5 510	7 079	1 407	5 672	7 079	1 569	5 510	7 364	1 692	5 672	7 364	1 854	5 510
20	7 371	1 428	5 943	7 371	1 599	5 772	7 386	1 443	5 943	7 386	1 614	5 772	7 671	1 728	5 943	7 671	1 899	5 772
21	7 678	1 464	6 214	7 678	1 644	6 034	7 693	1 479	6 214	7 693	1 659	6 034	7 978	1 764	6 214	7 978	1 944	6 034
22	7 985	1 500	6 485	7 985	1 689	6 296	8 000	1 515	6 485	8 000	1 704	6 296	8 285	1 800	6 485	8 285	1 989	6 296
23	8 292	1 536	6 756	8 292	1 734	6 558	8 307	1 551	6 756	8 307	1 749	6 558	8 592	1 836	6 756	8 592	2 034	6 558
24	8 599	1 572	7 027	8 599	1 779	6 820	8 614	1 587	7 027	8 614	1 794	6 820	8 899	1 872	7 027	8 899	2 079	6 820
25	8 906	1 608	7 298	8 906	1 824	7 082	8 921	1 623	7 298	8 921	1 839	7 082	9 206	1 908	7 298	9 206	2 124	7 082



MODUFLEX LOADING CHUTE**F300****F300 with FlexClose no indicator**

Cone		Ultramid			Steel/support ring		
Indicator		None			None		
M	LC	L1	L2	L3	L1	L2	L3
1	1 622	1 892	1 103	789	1 892	1 103	789
2	1 929	2 199	1 139	1 060	2 199	1 148	1 051
3	2 236	2 506	1 175	1 331	2 506	1 193	1 313
4	2 543	2 813	1 211	1 602	2 813	1 238	1 575
5	2 850	3 120	1 247	1 873	3 120	1 283	1 837
6	3 157	3 427	1 283	2 144	3 427	1 328	2 099
7	3 464	3 734	1 319	2 415	3 734	1 373	2 361
8	3 771	4 041	1 355	2 686	4 041	1 418	2 623
9	4 078	4 348	1 391	2 957	4 348	1 463	2 885
10	4 385	4 655	1 427	3 228	4 655	1 508	3 147

F300 with FlexClose and FlexSeal no indicator

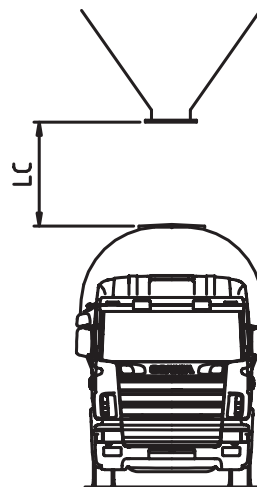
Cone		Ultramid			Steel/support ring		
Indicator		None			None		
M	LC	L1	L2	L3	L1	L2	L3
1	1 622	1 892	1 133	759	1 892	1 133	759
2	1 929	2 199	1 169	1 030	2 199	1 178	1 021
3	2 236	2 506	1 205	1 301	2 506	1 223	1 283
4	2 543	2 813	1 241	1 572	2 813	1 268	1 545
5	2 850	3 120	1 277	1 843	3 120	1 313	1 807
6	3 157	3 427	1 313	2 114	3 427	1 358	2 069
7	3 464	3 734	1 349	2 385	3 734	1 403	2 331
8	3 771	4 041	1 385	2 656	4 041	1 448	2 593
9	4 078	4 348	1 421	2 927	4 348	1 493	2 855
10	4 385	4 655	1 457	3 198	4 655	1 538	3 117

F300 with Flexclose - with/without FlexSeal + indicator

Cone		Ultramid			Steel/Support ring			Ultramid			Steel/Support ring		
Indicator		Rotating/Capacitive			Rotating/Capacitive			Vibration rod			Vibration rod		
M	LC	L1	L2	L3	L1	L2	L3	L1	L2	L3	L1	L2	L3
1	1 622	2 052	1 263	789	2 052	1 263	789	2 122	1 333	789	2 122	1 333	789
2	1 929	2 359	1 299	1 060	2 359	1 308	1 051	2 429	1 369	1 060	2 429	1 378	1 051
3	2 236	2 666	1 335	1 331	2 666	1 353	1 313	2 736	1 405	1 331	2 736	1 423	1 313
4	2 543	2 973	1 371	1 602	2 973	1 398	1 575	3 043	1 441	1 602	3 043	1 468	1 575
5	2 850	3 280	1 407	1 873	3 280	1 443	1 837	3 350	1 477	1 873	3 350	1 513	1 837
6	3 157	3 587	1 443	2 144	3 587	1 488	2 099	3 657	1 513	2 144	3 657	1 558	2 099
7	3 464	3 894	1 479	2 415	3 894	1 533	2 361	3 964	1 549	2 415	3 964	1 603	2 361
8	3 771	4 201	1 515	2 686	4 201	1 578	2 623	4 271	1 585	2 686	4 271	1 648	2 623
9	4 078	4 508	1 551	2 957	4 508	1 623	2 885	4 578	1 621	2 957	4 578	1 693	2 885
10	4 385	4 815	1 587	3 228	4 815	1 668	3 147	4 885	1 657	3 228	4 885	1 738	3 147

F300 with Flexfill

Cone		Ultramid			Steel/support ring		
M	LC	L1	L2	L3	L1	L2	L3
3	2 426	2 730	1 394	1 336	2 730	1 412	1 318
4	2 733	3 037	1 430	1 607	3 037	1 457	1 580
5	3 040	3 344	1 466	1 878	3 344	1 502	1 842
6	3 347	3 651	1 502	2 149	3 651	1 547	2 104
7	3 654	3 958	1 538	2 420	3 958	1 592	2 366
8	3 961	4 265	1 574	2 691	4 265	1 637	2 628
9	4 268	4 572	1 610	2 962	4 572	1 682	2 890
10	4 575	4 879	1 646	3 233	4 879	1 727	3 152



LC measure to be used when the loading chute is fitted with FlexClose or FlexFill.