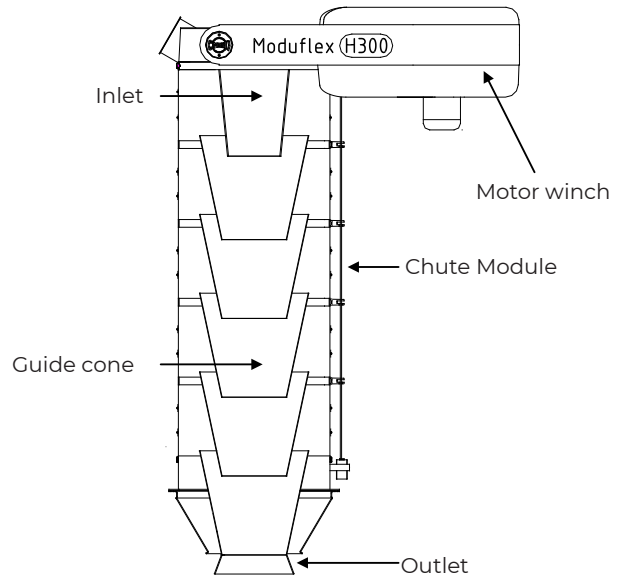


MODUFLEX LOADING CHUTE H300

GENERAL

Brand	Cimbria
Designation	Moduflex Loading Chute
Model	H300
Use	Designed for dust-free out-loading of dry bulk material.



Technical Information - H300

Inlet	Conical Inlet tube in 4 mm steel. Fitting Ø300 PN10 flange (2576B). Mounted with 12 off M20 bolts. Exhaust connection Ø150, optionally with automatic closing function.
Chute modules	Type Y - Standard: Yellow. PVC/Polyester. Ø600mm/H=300mm. Temperature -35°C - +70°C Type M - Food Grade: Light Grey. PVC/Polyester. Ø600mm/H=300mm. Temperature -30°C - +70°C Type W - Special: Misc. PVC/Polyester. Ø600mm/H=300mm. Temperature -35°C - +70°C Type B - Heavy Duty: Black. Synthetic rubber. Ø600mm/H=300mm. Temperature -40°C - +130°C Type G - Extreme Temperature: Grey. Teflon/Fiber glass. Ø600mm/H=300mm. Temperature -35°C - +260°C Type R - High temperature: Red. Polyester and fiber/silicone rubber. Ø600/H=300mm. Temp. -40°C - +150°C (peak +220°C) Type Z - Low temperature: Green. PVC/PU. Ø600mm/H=300mm. Temperature -60° C - +70° C Connection ring in stainless steel Aisi 304, c/w 3 off wire guides in nylon.
Guide cones	Type O - Support ring. Steel, H=30mm Type U - Ultramid. Polyamide 6.6. H=150mm, pt=6mm. Type J - Steel Standard. Steel, H=150mm, pt=2mm. Type L - Steel Overlapping. Steel, H=405mm, pt=2mm.
Outlet	Type T - Tank Outlet with steel cone for loading in tanker truck. Type F - Flat Outlet with dust skirt for loading in open truck. Type M - Multi Outlet with steel cone and dust skirt for loading in tanker truck and open truck.
Motor winch	Motor 0.55-2.2 kW, 1400 rpm. Gear box ratio 100:1. Tight and slack wire indication External 3-point wire hoist system with high precision ball bearings and 3 off winch discs vertically fitted. Hoist wires Ø5mm available in steel, stainless steel Aisi316 or Long Life steel quality. Self-lubricating wire rollers in Ertalite TX, alternatively steel/stainless steel with bronze bearing
General info	Max. loading capacity approx. 250 m ³ /hour. Recommended connecting value for aspiration 1200 m ³ /hour 500-1500 Pa. Metal parts available in painted steel st. 37 or stainless steel Aisi 304. Other steel qualities on demand. Surface treatment St. 37: Iron phosphating, 80 micron coating RAL 9010 pure white. Surface treatment Aisi 304: Acid-washed without any further treatment Motor winch covers in ABS - RAL 6005 dark greenw Available with full approval and certificates for location in ATEX zone 21 and 22 (zone 20 inside the chute)

Accessories for Loading Chute H300, please see separate Data Sheet

MODUFLEX LOADING CHUTE

H300

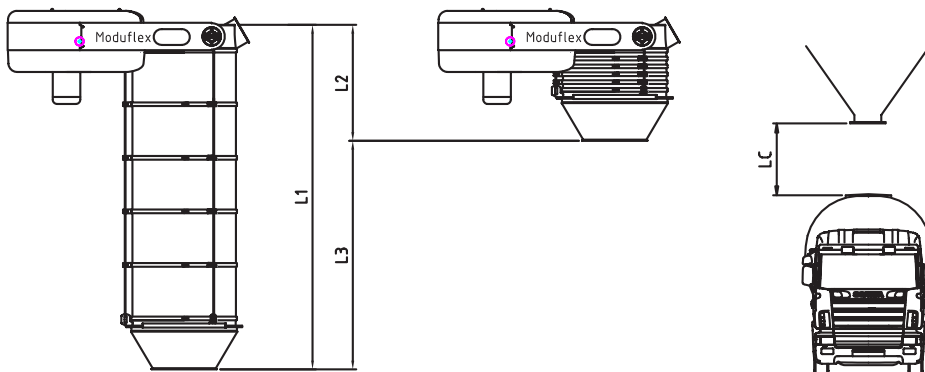
H300									
	Outlet type TH			Outlet type FH			Outlet type MH		
Cone	Overlapping steel			Overlapping steel			Overlapping steel		
M	L1	L2	L3	L1	L2	L3	L1	L2	L3
1	900	643	257	1 222	965	257			
2	1 207	693	514	1 529	1 015	514			
3	1 514	743	771	1 836	1 065	771			
4	1 821	793	1 028	2 143	1 115	1 028			
5	2 128	843	1 285	2 450	1 165	1 285			
6	2 435	893	1 542	2 757	1 215	1 542	2 757	1 215	1 542
7	2 742	943	1 799	3 064	1 265	1 799	3 064	1 265	1 799
8	3 049	993	2 056	3 371	1 315	2 056	3 371	1 315	2 056
9	3 356	1 043	2 313	3 678	1 365	2 313	3 678	1 365	2 313
10	3 663	1 093	2 570	3 985	1 415	2 570	3 985	1 415	2 570
11	3 970	1 143	2 827	4 292	1 465	2 827	4 292	1 465	2 827
12	4 277	1 193	3 084	4 599	1 515	3 084	4 599	1 515	3 084
13	4 584	1 243	3 341	4 906	1 565	3 341	4 906	1 565	3 341
14	4 891	1 293	3 598	5 213	1 615	3 598	5 213	1 615	3 598
15	5 198	1 343	3 855	5 520	1 665	3 855	5 520	1 665	3 855
16	5 505	1 393	4 112	5 827	1 715	4 112	5 827	1 715	4 112
17	5 812	1 443	4 369	6 134	1 765	4 369	6 134	1 765	4 369
18	6 119	1 493	4 626	6 441	1 815	4 626	6 441	1 815	4 626
19	6 426	1 543	4 883	6 748	1 865	4 883	6 748	1 865	4 883
20	6 733	1 593	5 140	7 055	1 915	5 140	7 055	1 915	5 140

H300 with FlexClose with/without FlexSeal - with indicator							
Cone		Overlapping steel			Overlapping steel		
Indicator		Rotating/capacitive			Vibration rod		
M	LC	L1	L2	L3	L1	L2	L3
2	1 138	1 568	1 054	514	1 638	1 124	514
3	1 445	1 875	1 104	771	1 945	1 174	771
4	1 752	2 182	1 154	1 028	2 252	1 224	1 028
5	2 059	2 489	1 204	1 285	2 559	1 274	1 285
6	2 366	2 796	1 254	1 542	2 866	1 324	1 542
7	2 673	3 103	1 304	1 799	3 173	1 374	1 799
8	2 980	3 410	1 354	2 056	3 480	1 424	2 056
9	3 287	3 717	1 404	2 313	3 787	1 474	2 313
10	3 594	4 024	1 454	2 570	4 094	1 524	2 570

H300 with FlexClose - no indicator				
Cone		Overlapping steel		
Indicator		None		
M	LC	L1	L2	L3
2	1 138	1 408	894	514
3	1 445	1 715	944	771
4	1 752	2 022	994	1 028
5	2 059	2 329	1 044	1 285
6	2 366	2 636	1 094	1 542
7	2 673	2 943	1 144	1 799
8	2 980	3 250	1 194	2 056
9	3 287	3 557	1 244	2 313
10	3 594	3 864	1 294	2 570

H300 with FlexClose and FlexSeal - no indicator				
Cone		Overlapping steel		
Indicator		None		
M	LC	L1	L2	L3
2	1 138	1 408	924	484
3	1 445	1 715	974	741
4	1 752	2 022	1 024	998
5	2 059	2 329	1 074	1 255
6	2 366	2 636	1 124	1 512
7	2 673	2 943	1 174	1 769
8	2 980	3 250	1 224	2 026
9	3 287	3 557	1 274	2 283
10	3 594	3 864	1 324	2 540

H300 with Flexfill				
Cone		Steel/support ring		
M	LC	L1	L2	L3
3	1 942	2 246	1 412	834
4	2 249	2 553	1 462	1 091
5	2 556	2 860	1 512	1 348
6	2 863	3 167	1 562	1 605
7	3 170	3 474	1 612	1 862
8	3 477	3 781	1 662	2 119
9	3 784	4 088	1 712	2 376
10	4 091	4 395	1 762	2 633



LC measure to be used when the loading chute is fitted with FlexClose or FlexFill.