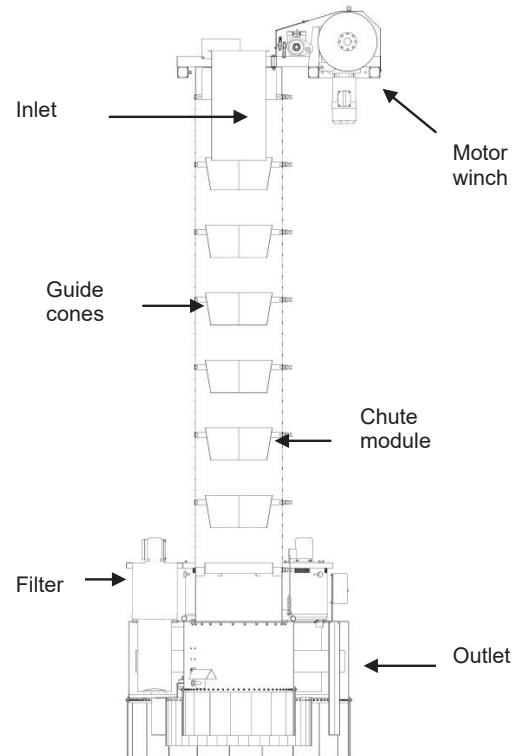
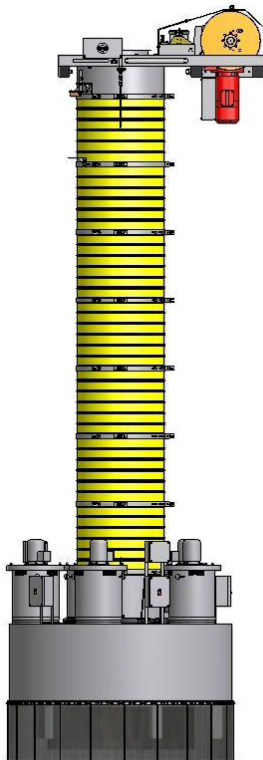


MODUFLEX LOADING CHUTE V500FF

GENERAL

Brand	Cimbria
Designation	Moduflex Loading Chute
Model	V500FF
Use	Designed for dust-free out-loading of dry bulk material.



Technical Information - V500FF

Inlet	Cylindrical Inlet tube in 2/4 mm steel. With Ø500 connection with flange.
Chute modules	Type Y - Standard: Yellow. PVC/Polyester. Ø=800mm/H=625mm. Temperature -35°C - +70°C Type B - Heavy Duty: Black.Synthetic rubber. Ø=800mm/H=625mm. Temperature -40°C - +130°C Type R - High temperature: Red.Polyester and fiber/silicone rubber. Ø800/H=625mm. Temp. -40°C - +150°C (peak +220°C) Type Z - Low temperature: Green. PVC/PU. Ø800mm/H=625mm. Temperature -60° C - +70° C. Connection ring in stainless steel Aisi 304, c/w 3 off wire guides in nylon and fittings for relief wires.
Guide cones	Type J - Steel Standard. Steel, H=300mm, pt=2/4mm. Type L - Steel Overlapping. Steel, H=650mm, pt=2/4mm.
Outlet	Type FF – Flat Outlet with dust skirt for open loading. 5 off filter units mounted on outlet. Filter housing in AISI 304 c/w fan and regulation system. Each filter unit with built-in compressor, air receiver, solenoid valves etc. 7 m ² filter cartridge in each filter unit, type: CGT 351, total of 35 m ² .
Motor winch	Brake motor 2.2-5.5 kW, 1425rpm. Gear box ratio 1:124 – 1:143. Tight and slack wire indication on all 3 hoisting wires. External 3-point wire hoist system with high precision ball bearings and 3 off winch discs vertically fitted. 2 off relief wires. Hoist/relief wires Ø8mm available in steel or stainless steel Aisi316. Wire rollers in steel or stainless steel with high precision ball bearings.
General info	Max. loading capacity approx. 700 m ³ /hour. Metal parts available in steel st. 37, stainless steel Aisi 304 or steel Hardox 400. Other steel qualities on demand. Surface treatment St. 37: Iron phosphating, 80 micron coating RAL 9010 pure white. Surface treatment Aisi 304: Acid-washed without any further treatment Optional: Hot dip galvanized inlet/outlet and motor frame. Available with full approval and certificates for location in ATEX zone 22 (zone 20 inside the chute)

MODUFLEX LOADING CHUTE

V500FF

V500FF			
Outlet type FF			
Cone	Steel		
M	L1	L2	L3
1	2 782	2 247	535
2	3 407	2 337	1 070
3	4 032	2 427	1 605
4	4 657	2 517	2 140
5	5 282	2 607	2 675
6	5 907	2 697	3 210
7	6 532	2 787	3 745
8	7 157	2 877	4 280
9	7 782	2 967	4 815
10	8 407	3 057	5 350
11	9 032	3 147	5 885
12	9 657	3 237	6 420
13	10 282	3 327	6 955
14	10 907	3 417	7 490
15	11 532	3 507	8 025
16	12 157	3 597	8 560
17	12 782	3 687	9 095
18	13 407	3 777	9 630
19	14 032	3 867	10 165
20	14 657	3 957	10 700
21	15 282	4 047	11 235
22	15 907	4 137	11 770
23	16 532	4 227	12 305
24	17 157	4 317	12 840
25	17 782	4 407	13 375
26	18 407	4 497	13 910
27	19 032	4 587	14 445
28	19 657	4 677	14 980
29	20 282	4 767	15 515
30	20 907	4 857	16 050
31	21 532	4 947	16 585
32	22 157	5 037	17 120
33	22 782	5 127	17 655
34	23 407	5 217	18 190
35	24 032	5 307	18 725
36	24 657	5 397	19 260
37	25 282	5 487	19 795
38	25 907	5 577	20 330
39	26 532	5 667	20 865
40	27 157	5 757	21 400

