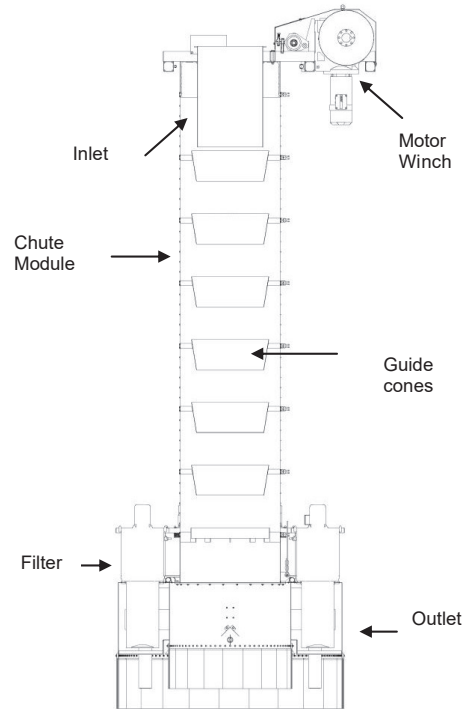
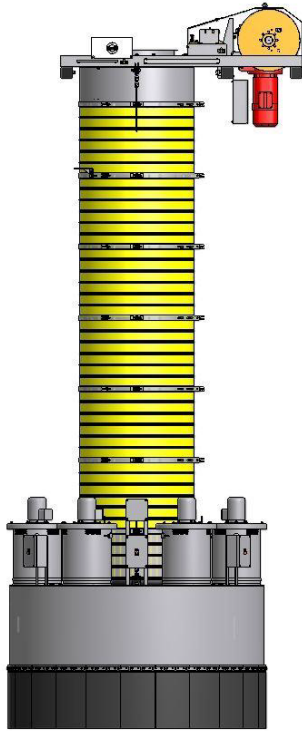


MODUFLEX LOADING CHUTE V650FF

GENERAL

Brand	Cimbria
Designation	Moduflex Loading Chute
Model	V650FF
Use	Designed for dust-free out-loading of dry bulk material.



Technical Information - V650FF

Inlet	Cylindrical Inlet tube in 4/6 mm steel. With Ø650mm connection with flange.
Chute modules	Type Y - Standard: Yellow. PVC/Polyester. Ø=1000mm/H=625mm. Temperature -35°C - +70°C Type R - High temperature: Red. Polyester and fiber/silicone rubber. Ø600/H=300mm. Temp. -40°C - +150°C (peak +220°C) Type B - Heavy Duty: Black. Synthetic rubber. Ø=1000mm/H=625mm. Temperature -20°C - +130°C Type Z - Low temperature: Green. PVC/PU. Ø1000mm/H=625mm. Temperature -60°C - +70°C. Connection ring in stainless steel Aisi 304, c/w 3 off wire guides in nylon and fittings for relief wires.
Guide cones	Type J - Steel Standard. Steel, H=300mm, pt=2/4mm. Type L - Steel Overlapping. Steel, H=650mm, pt=2/4mm.
Outlet	Type FF – Flat Outlet with dust skirt for open loading. 6 off filter units mounted on outlet. Filter housing in AISI 304 c/w fan and regulation system. Each filter unit with built-in compressor, air receiver, solenoid valves etc. 7 m ² filter cartridge in each filter unit, type: CGT 351, total of 42 m ² .
Motor winch	Brake motor 2.2 – 7,5kW, 1425 - 1460 rpm. Gear box ratio 1:124 – 1:143. Tight and slack wire indication on all 3 hoisting wires. External 3-point wire hoist system with high precision ball bearings and 3 off winch discs vertically fitted. 2 off relief wires. Hoist/relief wires Ø8mm available in steel or stainless steel Aisi316. Wire rollers in steel or stainless steel with high precision ball bearings.
General info	Max. loading capacity approx. 1200 m ³ /hour. Metal parts available in steel st. 37, stainless steel Aisi 304 or steel Hardox 400. Other steel qualities on demand. Surface treatment St. 37: Iron phosphating, 80 micron coating RAL 9010 pure white. Surface treatment Aisi 304: Acid-washed without any further treatment Optional: Hot dip galvanized inlet/outlet and motor frame. Available with full approval and certificates for location in ATEX zone 22 (zone 20 inside the chute)

MODUFLEX LOADING CHUTE

V650FF

V650FF			
Outlet type FF			
Cone	Steel		
M	L1	L2	L3
1	2 834	2 299	535
2	3 459	2 389	1 070
3	4 084	2 479	1 605
4	4 709	2 569	2 140
5	5 334	2 659	2 675
6	5 959	2 749	3 210
7	6 584	2 839	3 745
8	7 209	2 929	4 280
9	7 834	3 019	4 815
10	8 459	3 109	5 350
11	9 084	3 199	5 885
12	9 709	3 289	6 420
13	10 334	3 379	6 955
14	10 959	3 469	7 490
15	11 584	3 559	8 025
16	12 209	3 649	8 560
17	12 834	3 739	9 095
18	13 459	3 829	9 630
19	14 084	3 919	10 165
20	14 709	4 009	10 700
21	15 334	4 099	11 235
22	15 959	4 189	11 770
23	16 584	4 279	12 305
24	17 209	4 369	12 840
25	17 834	4 459	13 375
26	18 459	4 549	13 910
27	19 084	4 639	14 445
28	19 709	4 729	14 980
29	20 334	4 819	15 515
30	20 959	4 909	16 050
31	21 584	4 999	16 585
32	22 209	5 089	17 120
33	22 834	5 179	17 655
34	23 459	5 269	18 190
35	24 084	5 359	18 725
36	24 709	5 449	19 260
37	25 334	5 539	19 795
38	25 959	5 629	20 330
39	26 584	5 719	20 865
40	27 209	5 809	21 400

